

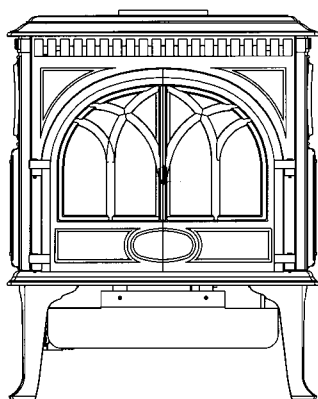


Jøtul GF3 DVII

Allagash

Direct Vent

Gas Heater



Installation and Operation Instructions

Warnock Hersey



WARNING:

IF THE INFORMATION IN THESE INSTRUCTIONS ARE NOT FOLLOWED EXACTLY, A FIRE OR EXPLOSION MAY RESULT CAUSING PROPERTY DAMAGE, PERSONAL INJURY OR LOSS OF LIFE.

FOR YOUR SAFETY:

DO NOT STORE OR USE GASOLINE OR OTHER FLAMMABLE VAPORS AND LIQUIDS IN THE VICINITY OF THIS OR ANY OTHER APPLIANCE.

INSTALLATION:

INSTALLATION AND SERVICE MUST BE PERFORMED BY A QUALIFIED INSTALLER, SERVICE AGENCY OR LICENSED GAS SUPPLIER.

WHAT TO DO IF YOU SMELL GAS:

- **DO NOT TRY TO LIGHT ANY APPLIANCE.**
- **DO NOT TOUCH ANY ELECTRICAL SWITCHES.**
- **DO NOT USE THE PHONE IN YOUR BUILDING. IMMEDIATELY CALL YOUR GAS SUPPLIER FROM A NEIGHBOR'S PHONE.**
- **FOLLOW YOUR GAS SUPPLIER'S INSTRUCTIONS.**
- **IF YOU CANNOT REACH YOUR GAS SUPPLIER, CALL THE FIRE DEPARTMENT.**

AVERTISSEMENT:

ASSUREZ-VOUS DE BIEN SUIVRE LES INSTRUCTIONS DANS CETTE NOTICE POUR REDUIRE AU MINIMUM LE RISQUE D'INCENDIE OU POUR EVITER TOUT DOMMAGE MATERIEL, TOUTE BLESSURE OU MORTALITE'.

NE PAS ENTREPOSER NI UTILISER D'ESSENCE NI OU LIQUIDES INFLAMMABLES DANS LE VOISINAGE DE CET APPAREIL OU DE TOUT AUTRE APPAREIL.

L'INSTALLATION LE SERVICE DOIVENT ETRE EXECUTES PAR UN INSTALLATEUR QUALIFIE, AGENCE DE SERVICE OU LE FOURNISSEUR DE GAZ.

QUE FAIRE SI VOUS SENTEZ UNE ODEUR DE GAZ.

- **NE PAS TENTER D'ALLUMER L'APPAREIL**
- **NE TOUCHEZ A AUCUN INTERRUPTEUR.**
- **NE PAS VOUS SERVIR DES TELEPHONES SE TROUVANT DANS LE BATIMENT OU VOUS VOUS TROUVEZ.**
- **APPELEZ IMMEDIATEMENT VOTRE FOURNISSEUR DE GAZ CHEZ UN VOISIN. SUIVEZ LES INSTRUCTIONS DU FOURNISSEUR.**
- **SI VOUS NE POUVEZ REJOINDRE LE FOURNISSEUR DE GAZ, APPELEZ LE SERVICE DES INCENDIES.**

Welcome to Jøtul...

Congratulations on the purchase of your new Jøtul GF3 DVII Allagash gas stove.

We at Jøtul are happy you've made the decision to warm your hearth with a Jøtul product. Your new Allagash benefits from our experience as the world's largest manufacturer of solid fuel burning appliances for over 140 years. We've been making fine quality cast iron wood and coal stoves and fireplaces continuously since 1853.

In the Allagash, we've combined advanced gas technology with the warm, traditional elements of cast iron. With proper care and use, your Jøtul heater will provide you with many years of safe, dependable, and satisfying service.

The Jøtul Allagash is a direct vented gas heater designed and approved for installation into a variety of installation configurations. Please take a few minutes to familiarize yourself with this manual and the features of your new stove.



Jøtul GF3 DVII Allagash Direct Vent Gas Heater

Manufactured and Distributed by:
Jøtul A.S.A.
Fredrikstad, Norway
Jøtul North America
Portland, Maine

Test Standards

This appliance complies with National Safety standards and is tested and listed by Intertek Testing Services of Middleton, Wisconsin to ANSI Z21.88-1998 (NFPA 54) and CSA 2.33-M98 for Canada.



THIS STOVE IS CONFIGURED TO BURN NATURAL GAS ONLY. IF USE WITH PROPANE GAS IS DESIRED, THE BURNER MUST FIRST BE CONVERTED. FOR YOUR CONVENIENCE, A PROPANE CONVERSION KIT IS INCLUDED WITH THE STOVE.

THIS PRODUCT MUST BE INSTALLED BY A LICENSED MASTER OR JOURNEYMAN PLUMBER OR GAS-FITTER WHEN INSTALLED IN THE COMMONWEALTH OF MASSACHUSETTS.

SUGGESTED TOOL LIST FOR INSTALLATION AND SERVICE:

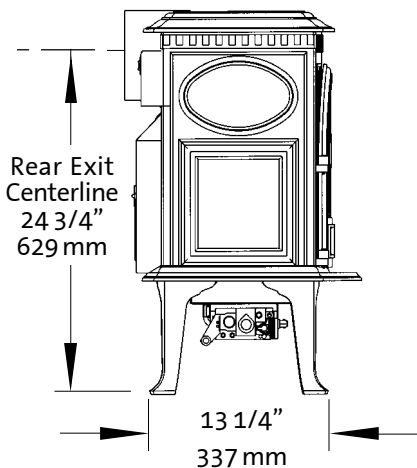
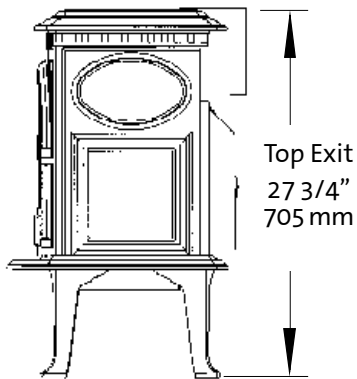
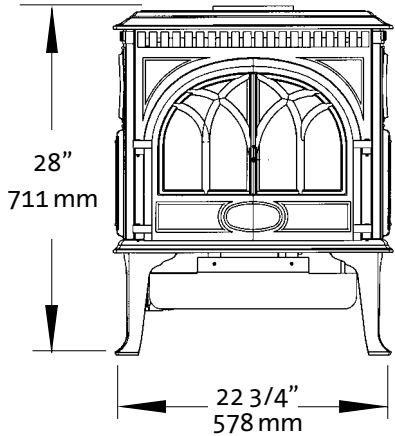
- External regulator (for LPG only)
- Piping which complies with local code
- Manual shutoff valve
- Sediment trap
- Tee Handle Gas Cock - **required for Massachusetts**
- Pipe wrench
- Pipe sealant
- 10 mm open end wrench
- 1/2", 7/16" open end wrench
- Phillips head screwdriver
- Flat head screwdriver
- 1/4" nut driver
- Gloves
- Safety glasses
- Torx T20 screwdriver
- Leak test solution

Table of Contents

Standards	3
General Information	3
Safety Information	4
Location	4
Hearth Requirements	4
Stove Clearances	5
Mantel and Trim	5
Venting Requirements	6
Vertical Venting	6
Horizontal Venting	7
Co-linear Hearthmount	8
Mobile Home Installation	9
Vent Window	10
Vent Terminal Clearances	11
Fuel Conversion	12
Gas Connection	14
Gas Pressures	14
High Altitude Adjustment	15
Air Shutter Settings	16
Log Set Installation	16
Blower Installation	17
Remote Control / Thermostat ...	18
System Check	19
Operation Instructions	20
Maintenance	20
Illustrated Parts List	22, 23

PLEASE READ THESE INSTRUCTIONS IN THEIR ENTIRETY AND MAKE THEM AVAILABLE TO ANYONE USING OR SERVICING THE APPLIANCE. KEEP THESE INSTRUCTIONS FOR FUTURE USE.

Specifications



The Jøtul GF3 DVII Allagash is a Direct Vent wall furnace and is designed as a sealed combustion, air circulating gas appliance for residential applications. The following vent components are approved for use with the Jøtul GF3 DVII, vented directly to the outside of the house:

- Simpson Dura-Vent 6 5/8" X 4" GS pipe
- Security Direct Vent 6/4 vent pipe
- Amerivent 6/4 vent pipe.

The Jøtul GF3 DVII Allagash gas stove is designed to operate on NATURAL GAS or PROPANE only. It is manufactured and shipped prepared to burn Natural Gas. For safe and efficient operation the stove is equipped with a millivolt gas control valve with a piezo ignitor. Electrical power is only required when operating the OPTIONAL forced air blower.

Input Rates

Natural Gas

26,000 BTU/hr. maximum input
20,000 BTU/hr. minimum input

Propane

26,000 BTU/hr. maximum input
20,000 BTU/hr. minimum input

Minimum Inlet Pressure:

Natural Gas: 5.0 WC (1.25 kPa)
Propane: 11.0 WC (2.75 kPa)

Manifold Pressure: **MIN**

Natural Gas:	2.0 WC (.85 kPa)	MAX
Propane:	6.4 WC (1.60 kPa)	10.0 WC (2.50 kPa)

Steady State Efficiency: 82%

A.F.U.E.: 73%

Piezo Ignitor / Standing Pilot

Standards

This appliance complies with National Safety standards and is tested and listed by Intertek Testing Services of Middleton, WI

In addition, the Jøtul GF3 DVII Allagash gas stove complies with and has been tested and listed as a direct vent heater and listed to ANSI Z21.88-1998 (NFPA 54), and CSA 2.33-M98 for Canada.

DO NOT ATTEMPT TO ALTER OR MODIFY THE CONSTRUCTION OF THE APPLIANCE OR ITS COMPONENTS. ANY MODIFICATION OR ALTERATION WILL VOID THE WARRANTY, CERTIFICATION AND LISTING OF THIS APPLIANCE.

General Information

- **THIS HEATER MUST BE INSTALLED AND MAINTAINED BY A QUALIFIED SERVICE AGENCY.**
- **The installation and repair of this appliance must be done by a qualified service person. Failure to properly install and maintain this heater could result in an unsafe or hazardous installation, which may result in a fire, explosion, property damage, personal injury or loss of life.**
- **This appliance should be inspected before use and at least annually. More frequent cleaning may be required due to excessive lint from carpeting, bedding material, etc. It is imperative that control compartments, burners and circulating air passages of the appliance be kept clean.**
- **NOTE: THIS APPLIANCE MUST NOT BE CONNECTED TO A CHIMNEY OR FLUE SERVING ANY OTHER APPLIANCE.**
- The installation must conform to local codes. Your local Jøtul dealer can assist you in determining what is required in your area for a safe and legal installation. Some areas require a permit to install a gas burning appliance. Always consult your local building inspector or authority having jurisdiction to determine what regulations apply in your area.
- Your local officials have final authority in determining if a proposed installation is acceptable. Any requirement that is requested by the local authority having jurisdiction, that is not specifically addressed in THIS manual, defaults to local code. In the absence of local codes, the installation requirements must comply with the current National codes. In the U.S. these requirements are established in the National Fuel Code, ANSI Z223.1.(NFPA 54). In Canada, the codes have been established in CAN/CGA B149 Fuel Installation Code.

- Installer l'appareil selon les codes ou règlements locaux, ou, en l'absence de tels règlements, selon les Codes d'installation CAN/CGA-B149.
- **DO NOT OPERATE THIS STOVE IF ANY PART HAS BEEN UNDER WATER. Immediately call a qualified service technician to inspect the heater and to replace any part of the control system and any gas control which has been under water.**
- Ne pas se servir de cet appareil s'il a été plongé dans l'eau, complètement ou en partie. Appeler un technicien qualifié pour inspecter l'appareil et remplacer toute partie du système de contrôle et toute commande qui ont été plongés dans l'eau.

Glass Front

Do not operate this appliance with the glass front removed, cracked or broken. Replacement of the glass should be done by a licensed or qualified service person. Only remove glass for routine service. Always handle glass carefully.

Safety Information

This appliance will reach high surface temperatures during normal operation. Please read the following notes to help ensure safe operation.

- Due to the high operating temperatures this appliance should be located out of traffic and away from furniture and draperies.
- Children and adults should be alerted to the hazards of high surface temperatures and should stay away to avoid burns or clothing ignition.
- Young children should be supervised while they are in the same room as the Allagash gas stove.
- Clothing or other flammable materials should not be placed ON or NEAR the Allagash gas stove. Surveiller les enfants. Garder les vêtements, les meubles, l'essence ou autres liquides à vapeur inflammables loin de l'appareil.
- NEVER store or use gasoline or any other flammable vapors or liquids in the vicinity of the Allagash gas stove.
- Never burn any other materials in your Allagash gas stove, it is strictly designed for use with natural gas or propane fuel ONLY.
- Any safety screen, glass or guard removed for servicing the appliance must be replaced prior to operating the appliance.

Electrical Hazard

When the Allagash gas stove is installed with the optional forced air Blower Kit, the stove must be electrically grounded in accordance with local codes or, in the absence of local codes, with the current NFPA 70- National Electrical Code or CSA C22.1-Canadian Code.

The Allagash Blower Kit is supplied with a three-prong (grounding) plug for protection against shock hazard and should be plugged directly into a properly grounded three-prong receptacle.

DO NOT CUT OR REMOVE THE GROUNDING PRONG FROM THE PLUG.

Always unplug the Blower Kit when performing routine service to the Allagash gas stove.

Location

In selecting a location for the stove, consider the following points:

- 1) Heat distribution
- 2) Vent termination requirements
- 3) Gas supply line routing
- 4) Traffic areas, furniture, draperies, etc.

The GF100 Nordic QT may be located on or near conventional construction materials, however, proper clearance to combustibles must be maintained in order to provide adequate air circulation around the appliance. Also, it is important to provide adequate access around the stove for servicing and proper operation.

The clearance and hearth specifications listed in this manual are the minimum requirements for combustible material. A combustible material is anything that can burn (i.e. sheet rock, wall paper, wood, fabrics etc.). These surfaces are not limited to those that are visible and also include materials that may be located behind non-combustibles.

If you are not sure of the combustible nature of a material, consult your local fire officials. Remember, "Fire Resistant" materials are considered combustible: they are difficult to ignite, but will burn. Also, "fire-rated" sheet rock is considered combustible.

Hearth Requirements

The Allagash gas stove CAN NOT be installed directly on carpeting, vinyl flooring, linoleum or Pergo®. If you wish to install this appliance on any combustible material OTHER THAN WOOD, a floor pad must be installed that is either metal, wood or a listed hearth pad. This floor protection must extend the full width and depth of the appliance. It is not necessary to remove the carpeting, vinyl or linoleum from underneath the floor protection.

Note: the hearth requirements are the same when using the optional short leg package.

Clearance Requirements

Minimum clearances for the GF3 DVII Allagash

- Rear: 4" / 102 mm
- Ceiling: 12" / 305 mm
- Corner: 4" / 102 mm
- Right Side: 4" / 102 mm
- Left Side: 10" / 254 mm (required for complete access of the lighting instructions)

Minimum Clearance for Vent Pipe

- Horizontal Runs:
- Off the top of the pipe: 2" (50mm)
 - Off the sides and bottom: 1" (25 mm)

Vertical Runs, all sides: 1" (25 mm)

Alcove Installation

- Minimum Height off stove top: 40" / 1006 mm
- Minimum Width of alcove: 38" / 965 mm
(Assumes 10" off the left side and 4" off the right side)

Maximum Alcove Depth: 24" / 607 mm

- Pipe Clearances:
- 1" on vertical runs
 - 2" off top of horizontal runs, 1" on other sides.

Mantel and Trim Clearances

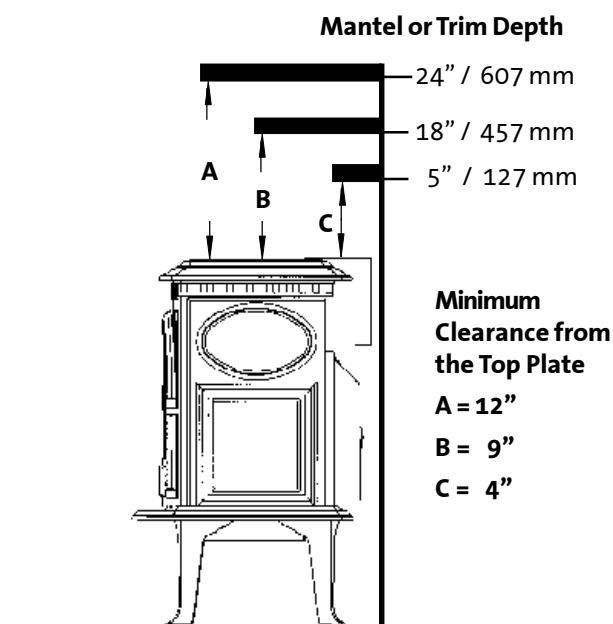


Figure 1.

Parallel Installation

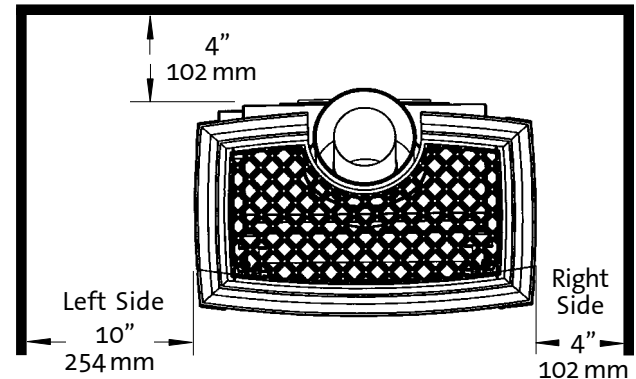


Figure 2. Allow 10" on left side of the appliance for complete access to the lighting instructions and control valve.

Corner Installation

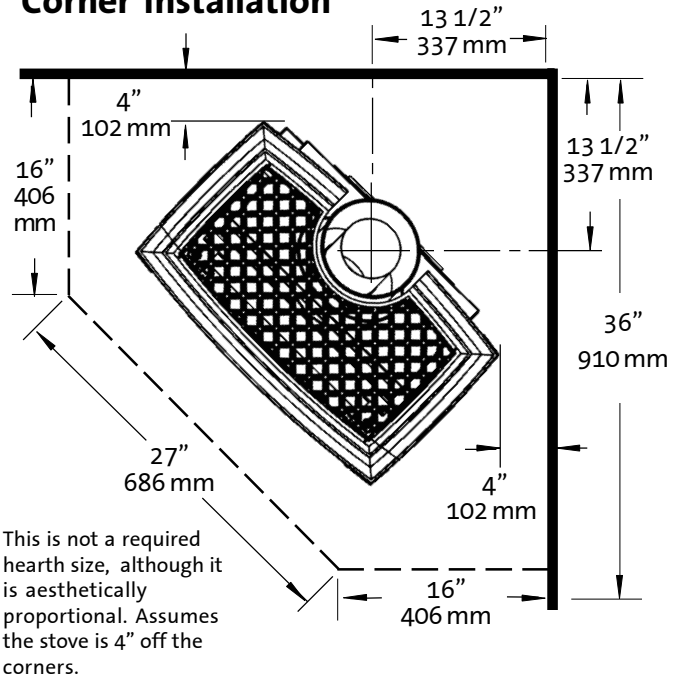


Figure 3. Top Exit Centerlines and possible hearth configuration.

Venting Requirements

There are two types of venting configurations approved for use with the Allagash gas stove - Horizontal Termination and Vertical Termination.

The GF3 DVII Allagash is approved for use with the following vent components:

- Simpson Dura-Vent GS**
- Secure Vent - Security Chimneys Intl. Ltd.**
- Amerivent Direct**

Installation of any components not manufactured or approved by Jøtul or failure to meet all clearance requirements will void all warranties and could result in property damage, bodily injury, or serious fire. Use parts from one manufacturer only - DO NOT MIX VENT COMPONENTS FROM DIFFERENT MANUFACTURERS IN THE SAME SYSTEM.

The approved vent configurations described herein are derived from extensive testing under controlled laboratory conditions. Gas appliance performance can be negatively affected by variables present in the installation environment, i.e: strong prevailing winds, snow accumulation, etc. These conditions should be taken into consideration by the installer and stove owner.

IMPORTANT

- **JOINT SEALING REQUIREMENT:** APPLY A 1/8" BEAD OF HIGH-TEMPERATURE (750°F) SEALANT TO THE MALE SECTION OF THE INNER VENT PIPE. THE CEMENT SHOULD FORM A SEAL BETWEEN THE INNER AND OUTER PIPES.
- NEVER MODIFY ANY VENTING COMPONENT, OR USE ANY DAMAGED VENTING PRODUCT.
- FOLLOW THE INSTALLATION INSTRUCTIONS PROVIDED BY THE VENT MANUFACTURER FOR EACH VENT PART.
- THE GAS APPLIANCE AND VENT SYSTEM MUST BE VENTED DIRECTLY TO THE OUTSIDE OF THE BUILDING AND NEVER ATTACHED TO A CHIMNEY SERVING A SOLID FUEL OR GAS BURNING APPLIANCE. EACH DIRECT VENT GAS APPLIANCE MUST HAVE ITS OWN SEPARATE VENT SYSTEM. COMMON VENT SYSTEMS ARE PROHIBITED.
- IF VENTING SYSTEM IS DISASSEMBLED FOR ANY REASON, REINSTALL PER THE INSTRUCTIONS PROVIDED FOR THE INITIAL INSTALLATION.

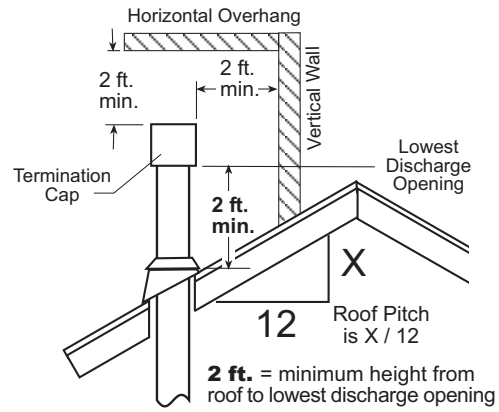
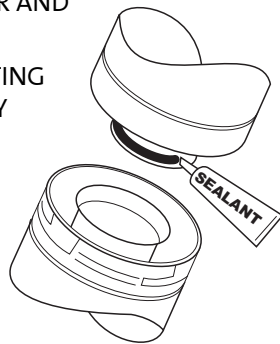


Figure 4. Vertical Vent Roof Penetration Height.

Vertical Venting Requirements (Vertical Termination)

- The minimum height of a vertically terminated system shall be no less than 7'. The maximum height shall be no more than 35'.
- With steep roofs, nearby trees, and predominant windy conditions, poor draft or down draft conditions can occur. In these cases, increasing the height of the vent may improve the situation.
- If an offset or elbow is necessary in the vertical rise, it is important to support the vent pipe every three feet, to avoid excessive stress on the offsets. Jøtul recommends the use of Simpson Dura-Vent's Wall Straps. (#988).
- Whenever possible use 45° elbows opposed to 90° elbows. This offers less restrictions for the flow of flue gases and intake air.

NOTE: Vertical termination may result in reduced flame height and heat output due to the "suction" of natural draft.

- **Vertical Termination Height:** In no case shall any discharge opening on the cap be less than 2' (610 mm) horizontally from the roof surface. See Figure 4.
- A firestop is required at every floor. The opening should be framed to 10" X 10" inside dimension. Jøtul recommends the use of Simpson Dura-Vent Firestop (#963).
- Any venting that is exposed above the first floor, regardless of attic space or living space, must be enclosed. Always maintain the required 1" clearance from all sides of the vertical vent system.
- It may be necessary to add restriction to a vertical venting installation, so that the draft is not too strong and creates incomplete combustion. The Allagash is equipped with sliding restriction plates that can be adjusted to compensate for excessive draft. See Figure 5.

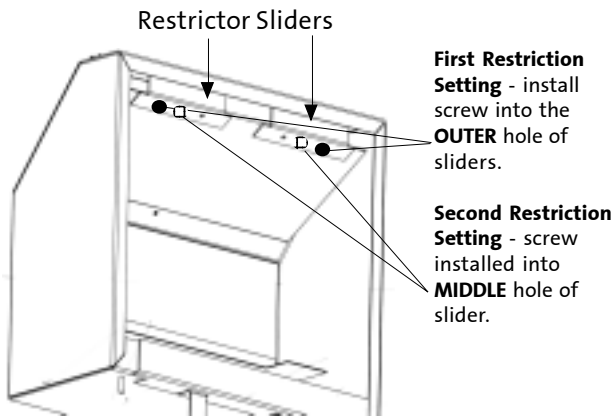


Figure 5. Vent restrictor settings.

Horizontal Venting Requirements

Follow these guidelines if any part of the installation incorporates a horizontal run or terminates horizontally.

- The maximum horizontal run made directly off the rear of the stove shall be no more than 12" and must then be connected to a 14" snorkel cap (Simpson Dura-vent #982).
- The horizontal termination cap must maintain a 3" clearance to any overhead combustible projections exceeding 2 1/2" or less. Maintain 12" clearance from projections exceeding 2 1/2". See Figure 8, page for complete termination clearance information.
- Any horizontal run of vent must be level or have a 1/4" rise for every foot of run toward the termination cap. NEVER ALLOW THE VENTING TO SLOPE DOWNWARD, AS HIGH TEMPERATURES MAY RESULT AND CREATE A HAZARDOUS CONDITION.
- Vent Pipe Clearance to Combustible Materials:** For all horizontal runs, a 2" top clearance and a 1" side and bottom clearance must be maintained.
- Wall Pass-through:** A minimum 10" X 10" square cutout is required to maintain proper clearances through combustible wall construction. The opening must be framed in. Simpson Dura-Vent Wall Thimble #942 or Secure Vent Wall Radiation Shield SV4RSM must be used for the wall pass-through. Optional decorative plates are available to finish the interior side of the wall pass-through.
- IMPORTANT:** Follow the vent manufacturer's installation instructions provided with each vent component.
- DO NOT FILL AIR SPACE WITH ANY TYPE OF INSULATION.
- MAINTAIN THE PROPER CLEARANCES TO THE TERMINATION CAP. SEE FIG. 10.
- Do not recess the termination cap into a wall or siding.
- Install a Vinyl Siding Standoff between the vent cap and the exterior wall (Simpson Dura-Vent #950). to protect vinyl siding from overheating.

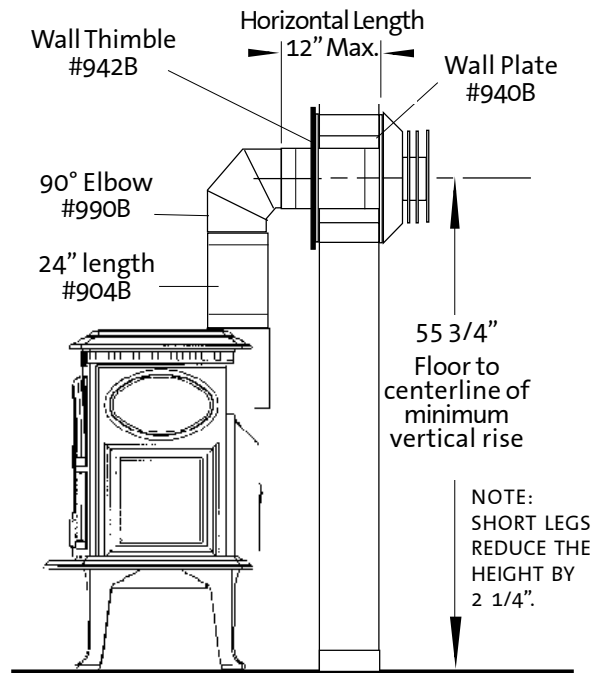


Figure 6. Minimum Vertical Vent - Simpson Dura-Vent part numbers shown.

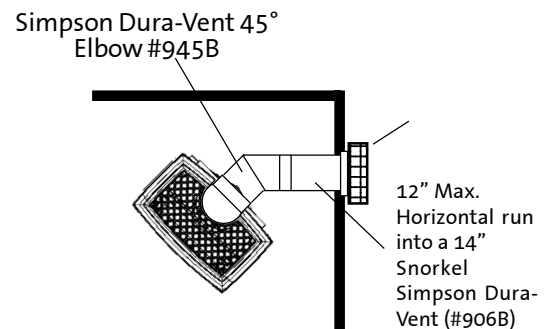


Figure 7. Horizontal terminal to corner.

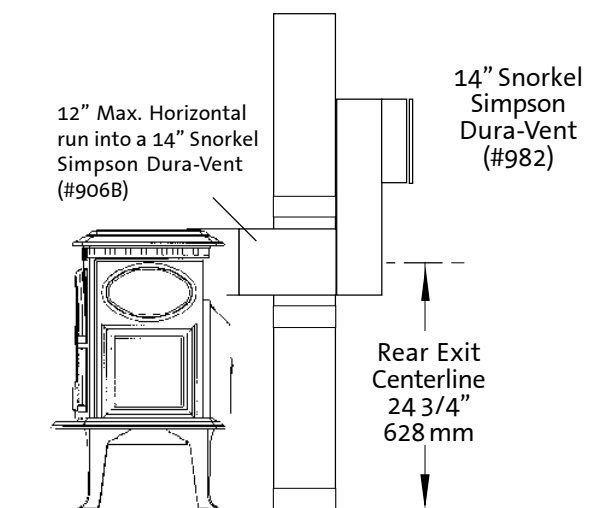


Figure 7a. Horizontal terminal directly off stove must use a 14" Snorkel termination.

Co-linear Vent Installation

The GF 3 DV Allagash may be vented through a masonry or Class A prefabricated chimney using a Co-linear Flexible Vent system approved for use with a solid-fuel burning fireplace. When installed in the manner described below, this system can improve the performance of the appliance in cold climate situations, as well as simplify the vent installation.

These guidelines must be followed:

1. Prior to the installation the chimney flue must be thoroughly cleaned and inspected by a qualified chimney service person.
2. In a masonry chimney, a fireclay liner must be present the entire length of the chimney.
3. Prefabricated chimneys must be UL 103 or ULC S-629 listed and have a minimum INSIDE diameter of 6 inches, (150 mm).
4. No appliance can be installed into a chimney flue serving any other appliance of any kind.
5. **THE AIR INTAKE FLEX PIPE MUST EXTEND BEYOND THE DAMPER AREA OF THE FIREPLACE.**
6. If the intake flex does not extend the full length of the chimney and connect to both the unit and the termination cap, A METAL BLOCK OFF PLATE MUST BE CONSTRUCTED AND INSTALLED ABOVE THE UNIT PRIOR TO THE END OF THE INTAKE FLEX AND MUST COMPLETELY SEAL THE CHIMNEY FLUE FROM THE ROOM.

Consult with the local code authority having jurisdiction before proceeding with this type of installation.

Refer to the vent manufacturer's instructions for specific installation requirements.

WARNING: FAILURE TO POSITION THE PARTS AND STOVE IN ACCORDANCE WITH THESE DIAGRAMS OR FAILURE TO USE ONLY PARTS SPECIFICALLY APPROVED FOR USE WITH THIS APPLIANCE MAY RESULT IN PROPERTY DAMAGE OR PERSONAL INJURY. BE SURE TO MAINTAIN THE PROPER CLEARANCES TO COMBUSTIBLES AS DEFINED IN THIS MANUAL AND IN THE INSTRUCTIONS PROVIDED WITH EACH VENT COMPONENT.

A DIRECT VENT TERMINATION KIT AND CAP IS REQUIRED TO ALLOW FRESH AIR INTO THE CHIMNEY.

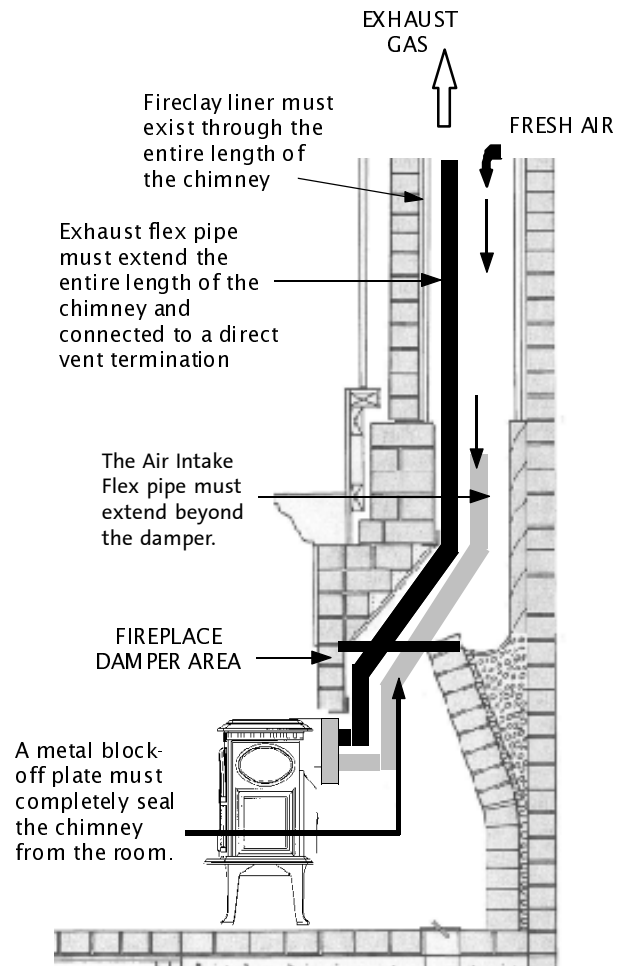


Figure 8. Co-linear Vent installed through masonry chimney.

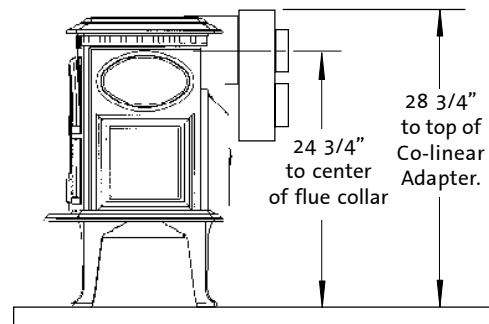


Figure 8a. Co-linear Adaptor centerline.

Simpson Dura-Vent Chimney Conversion Kit

The GF3 DVII Allagash is approved for use with Simpson Dura-vent Chimney Kit as shown in Figure 9. These installation requirements must be followed:

1. In masonry chimney a fireclay liner must be present the entire length of the chimney.
2. The liner must have an inside dimension of 6" round or greater. (USE KIT #934)
3. Prefabricated chimneys must be listed for the specific Simpson Dura-Vent Chimney Conversion Kit or a UL 103 listing. (USE KIT #931, #932, or #933)
4. When venting immediately off the rear of the Allagash the maximum horizontal must be less than 14" (including thimble depth). Any other horizontal must be less than 24".
5. Restrictor plates, shipped with the stove, should be installed according to the assembly instructions in this manual.

Mobile Home Installation

The Allagash can be installed for use in a mobile home in the U.S. and Canada provided:

1. The stove is secured to the floor of the mobile home. Use Floor Mounting Kit #750304.
2. The stove is installed in accordance with Title 24 CFR, Part 3280- Manufactured Home Construction and Safety Standard, in the U.S. and in Canada, comply with CSA Z240.4, Gas Equipped Recreational Vehicles and Mobile Housing.
3. Always contact your local officials about installation restrictions and requirements in your area.

This appliance may be installed as an OEM installation in manufactured (mobile)homes and must be installed according to the manufacturer's instructions and the manufactured home construction and safety standard, Title 24 CFRAND SAFETY STANDARD, TITLE 24 CFR, Part 3280. This appliance is only for use with the type of gas that is indicated on the stove Rating Plate. A gas conversion kit is provided with the GF3 DVII Allagash gas stove.

This appliance may be installed in an aftermarket permanently located, manufactured, (mobile) home, where not prohibited by local codes.

Cet appareil peut être installé dans un maison prefabriquée (mobile) déjà installée à demeure si les règlements locaux le permettent. Cet appareil doit être utilisé uniquement avec les types de gaz indiqués sur la plaque signalétique. Ne pas l'utiliser avec d'autres gaz sauf si un kit de conversion certifié est installé.

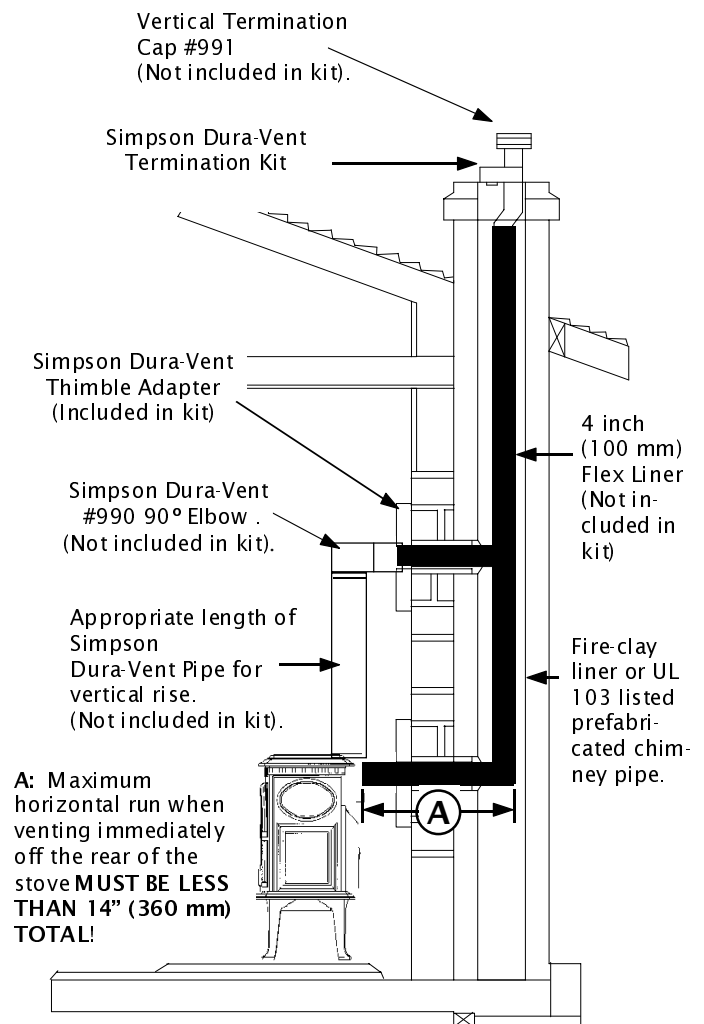


Figure 9. GF 3 DVII Allagash vent connection using Simpson Dura-Vent Chimney Conversion Kit.

IMPORTANT NOTICE

THE USE OF AN EXISTING CHIMNEY AS AN AIR INTAKE IS NOT COVERED UNDER THE ANSI Z21.88-1999-CSA 2.33-M99 TEST METHODS AND RESULTING ITS/WHI PRODUCT CERTIFICATION. THE CODE AUTHORITY HAVING JURISDICTION MUST BE CONSULTED PRIOR TO PROCEEDING WITH THIS INSTALLATION METHOD.

Vent Termination Window

VENTING MUST TERMINATE WITHIN THE SHADED AREAS.

REMINDER #1

Any horizontal runs made directly off the rear of the stove must be 14" or less and connected immediately to a Simpson Dura-Vent 14" snorkel (#982).

REMINDER #2

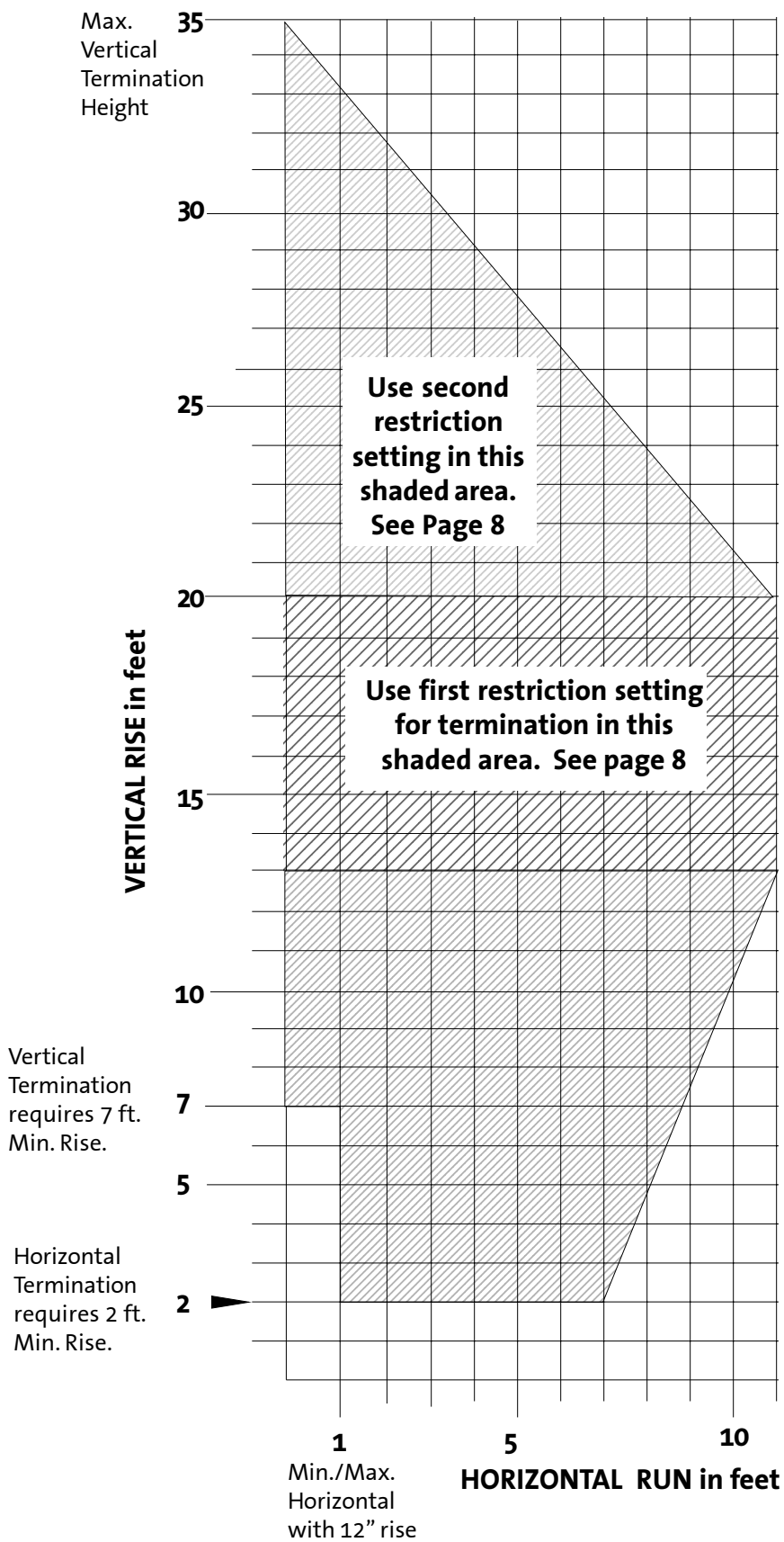
If more than a 12" horizontal run is needed, A VERTICAL RISE IS REQUIRED FIRST. See chart.

REMINDER #3

For each 90° elbow used, after the first, add 5' to the initial required vertical rise. See chart.

Maximum 90° Elbows - 3

Maximum 45° Elbows - 4



Vent Terminal Clearances

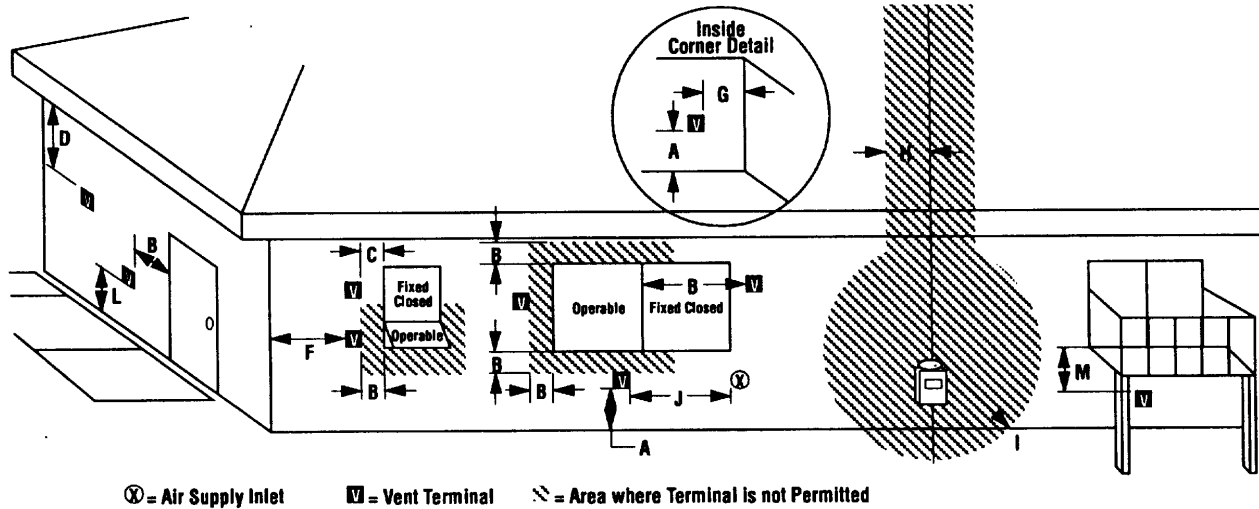


Figure 10. Vent Terminal Clearances - National Fuel Gas Code.

- A** = Clearance above grade, veranda, porch, deck, or balcony: ***12 inches (30 cm) minimum.**
- B** = Clearance to window or door that may be opened: **9 inches (23 cm) minimum.** 12 inches is recommended to help prevent condensation.
- C** = Recommended clearance to permanently closed window: **minimum 12 inches (30 cm)** to help prevent condensation on the window.
- D** = Vertical clearance to ventilated soffit located above the terminal within a horizontal distance of 2 feet (60 cm) from the centerline of the terminal: **18 inches (46 cm) minimum.**
- E** = Clearance to unventilated soffit: **12 inches (46 cm) minimum.**
- F** = Clearance to outside corner: **9 inches (23 cm) min.** Jøtul N.A. strongly recommends 12 inches (30 cm), particularly where windy conditions are prevalent.

- G** = Clearance to inside corner: **6 inches (16 cm) min.** Jøtul N.A. strongly recommends 12 inches (30 cm), particularly where windy conditions are prevalent.
- H** = *Not to be installed above a meter/regulator assembly **within 3 feet (90 cm)** horizontally from the center-line of the regulator.
- I** = Clearance to service regulator vent outlet: **6 feet (1.8 m) minimum.**
- J** = Clearance to nonmechanical air supply inlet to building or the combustion air inlet to any other appliance: ***12 inches (30 cm) minimum.**
- K** = Clearance to a mechanical air supply inlet: ***6 feet (1.8 m) minimum.**
- L** = ** Clearance above paved sidewalk or a paved driveway located on public property: ***7 feet (2.1 m) min.**
- M** = Clearance under veranda, porch, deck, or balcony: ***12 inches (30 cm) minimum.¹**

* As specified in CGA B149 Installation Codes. Note: Local Codes and Regulations may require different clearances.
 ** A vent shall not terminate directly above a sidewalk or driveway which is located between two single family dwellings and serves both dwellings.*
¹ Only permitted if veranda, porch, deck, or balcony, is fully open on a minimum of two sides beneath the floor.*

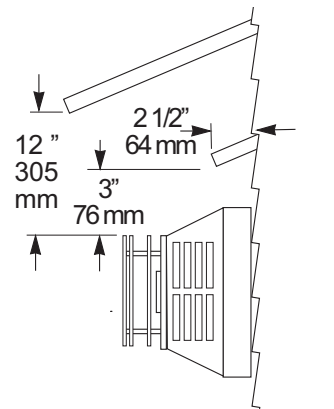


Figure 11. Vent Terminal / Overhang Clearances

Fuel Conversion

The Allagash gas stove is shipped from the factory equipped as a NATURAL GAS unit; However, the stove is shipped with the necessary gas conversion kit to convert the stove to burn propane gas. The kit contains all the necessary components needed to complete the conversion and ensure safe operation, including Conversion Notice labels that must be affixed to the stove and stove Rating Plate.

WARNING:

THE CONVERSION KIT IS TO BE INSTALLED BY AN AUTHORIZED JØTUL SERVICE TECHNICIAN IN ACCORDANCE WITH THE MANUFACTURER'S INSTRUCTION AND ALL CODES AND REQUIREMENTS OF THE AUTHORITY HAVING JURISDICTION. FAILURE TO FOLLOW THESE INSTRUCTIONS COULD RESULT IN SERIOUS INJURY OR PROPERTY DAMAGE. THE QUALIFIED AGENCY PERFORMING THIS WORK ASSUMES RESPONSIBILITY FOR THIS CONVERSION.

Tools required:

- 1/4" Nut driver
- 7/16" open end wrench
- 1/2" open end wrench
- Torx T-20 or slot head screwdriver.

Kit Contents:

- 1, Regulator Tower labeled for propane
- 3, Regulator Tower screws
- 1, Burner Orifice (1.5 mm for LPG, #38 for NG)
- 1, Pilot Orifice (#30 for LPG, #51 for NG)
- 1, 4 mm Hex Key
- Label A - to be completed and applied to the back of the stove.
- Label B - apply to the stove Rating Plate.

IMPORTANT: SHUT OFF THE GAS SUPPLY AT THE MAIN SUPPLY VALVE BEFORE BEGINNING THE CONVERSION.

If a blower is installed, be sure to disconnect the power cord before proceeding with this conversion.

IN CANADA: THE CONVERSION SHALL BE CARRIED OUT IN ACCORDANCE WITH THE REQUIREMENTS OF THE PROVINCIAL AUTHORITIES HAVING JURISDICTION AND IN ACCORDANCE WITH THE REQUIREMENTS OF THE CAN1-B149.1 AND .2 INSTALLATION CODE.

Gas Conversion Procedure

1. Turn off gas supply to the stove.
2. Open the front doors.
3. Remove the stove top plate.
4. Release the glass clips atop the stove and slowly lift glass panel up and off of the firebox.
5. Carefully remove the logs and set out of the way.
6. Remove burner tube: Lift out the log support plate. Using a 1/4" nut driver remove the two screws securing the burner tube (17, pg. 22) to the stove bottom. Lift out the burner tube.
7. Change the main burner orifice (32, pg 22 and Fig. 12). Using a 1/2" open end wrench, remove the burner orifice and replace with the appropriate orifice, supplied in the kit.
 - Natural gas - #38
 - Propane - 1.5 mm DMS
8. Adjust the air shutter on the burner tube to allow for the proper mixing of air and gas. See Fig. 12.
 - Natural - Three-quarters OPEN.
 - Propane - FULL OPEN

NOTE: The Air Shutter should never be set LESS than 1/8" open.



Figure 12. Burner Orifice and Air Shutter. Shutter is shown in the fully open position.

9. Change the pilot orifice. From within the firebox, pull the spring clip back and remove the Pilot Head from the Pilot Base. Use the 4 mm hex key to remove the old Pilot Orifice from the base (counterclockwise). See Fig. 13.

Replace with the appropriate pilot orifice.

#51 for natural gas

#30 for propane

Be certain the orifice is securely tightened.

Replace the Pilot Hood into the base.

12. Replace the Variable Regulator: Using a Torx T-20 screwdriver, remove the three specialty screws from the front of the valve regulator. See Fig. 14.
13. Remove the regulator tower and the old black gasket.
14. Ensure that the new gasket is properly positioned and install the new variable regulator tower. Tighten screws securely. Apply the small valve label to the valve body where it will be easily seen.
15. Reinstall the Burner Tube (13, pg. 22), Air Divider (15), Log Support (14), and Log Set. **WHEN REINSTALLING THE BURNER TUBE, BE SURE THE TUBE IS PULLED FORWARD IN THE MOUNTING HOLES. SECURE WITH THE TWO 1/4" SCREWS.**
16. Apply the two conversion labels to the stove and rating plate so that they can be seen by anyone servicing the stove.
17. Reassemble the stove, open the gas supply and check for leaks using a 50/50 soapy water solution. **NEVER USE AN OPEN FLAME TO CHECK FOR GAS LEAKS.**

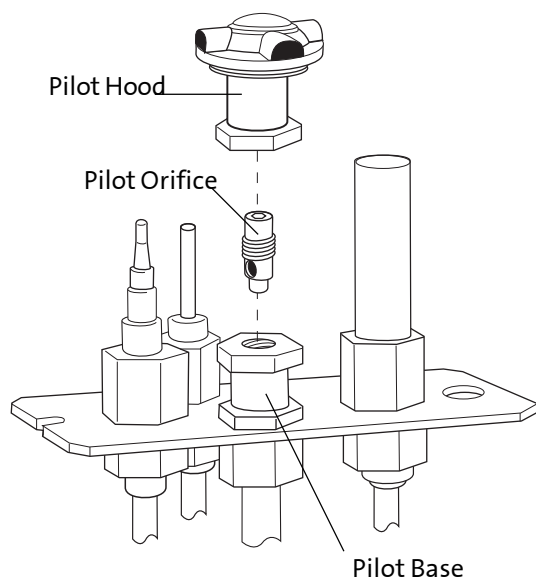


Figure 13. Removing the Pilot Hood and Pilot Orifice.

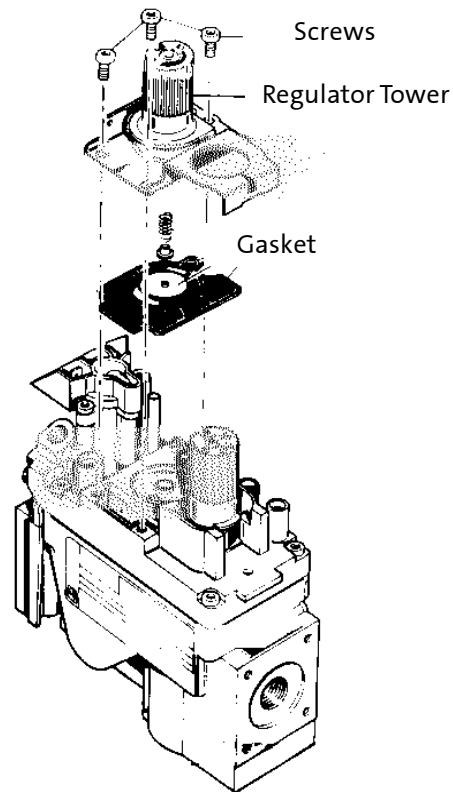


Figure 14. Regulator Tower and gasket.

Correct gas pressure is essential for efficient and safe operation of the Allagash gas stove. It is important that the correct gas pressure be established at the time of the installation. For more details see the Gas Pressure section of this manual.

ALWAYS REFER TO THE LIGHTING INSTRUCTIONS ON THE INSIDE BACK COVER OF THIS MANUAL AND ON THE BACK OF THE RATING PLATE.

Gas Connection

NOTE: IF THE OPTIONAL BLOWER KIT (# 129161) IS TO BE INSTALLED ON THE STOVE AT THE TIME OF THE INSTALLATION OR IN THE FUTURE, THE GAS SUPPLY LINE SHOULD BE INSTALLED AS CLOSE TO THE FLOOR AS POSSIBLE. USE OF A 90° ELBOW DIRECTLY OFF THE VALVE TO ALLOW FOR ADEQUATE CLEARANCE FOR THE BLOWER. See Figure 15.

The gas supply line connection is made to the valve just inside the left rear leg. The Gas supply line should be 3/8" or 1/2" diameter, or the appropriate size to provide sufficient gas pressure to the valve regardless of the input setting.

The use of Flexible Gas Appliance Connectors is acceptable in many areas in the U.S., however, Canadian methods vary depending on local code.

ALL INSTALLATIONS MUST COMPLY WITH LOCAL CODE OR IN THE ABSENCE OF LOCAL CODE, MUST COMPLY WITH THE MOST RECENT EDITION OF THE NATIONAL FUEL GAS CODE ANSI Z223.1/NFPA 54 OR CAN-B149. THIS APPLIANCE MUST BE INSTALLED BY A LICENSED MASTER OR JOURNEYMAN PLUMBER OR GAS-FITTER WHEN INSTALLED IN THE COMMONWEALTH OF MASSACHUSETTS.

All codes require: a gas shutoff valve (gas cock) and union, to be installed in the supply line, and in the same room as the appliance. This allows for the disconnection of the stove for servicing and maintenance. See Figure 15.

A T-HANDLE GAS COCK IS REQUIRED IN MASSACHUSETTS IN COMPLIANCE WITH CODE 248 CMR.

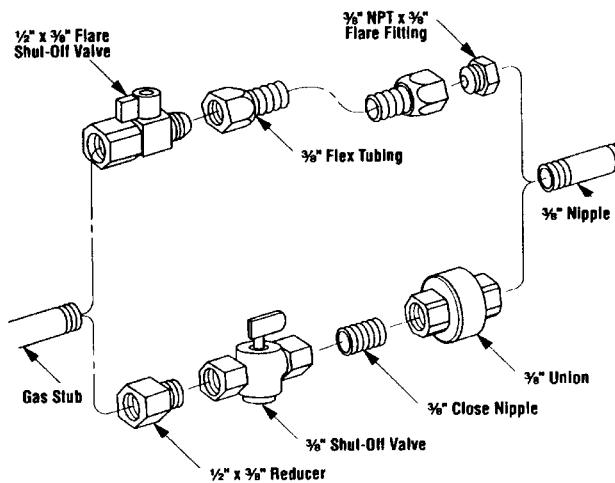


Figure 15. Gas supply valve types and fittings.

Secure all joints tightly using appropriate tools and sealing compounds (for propane units be sure to use compounds that are propane resistant). Turn on gas supply and test for gas leaks using a soapy water solution. Never use an open flame to check for leaks.

Leak test:

1. Mix a 50-50 solution of water and dish soap.
2. Light appliance- see lighting instructions on page 22 of this manual or on the stove's rating plate.
3. Brush or spray all joints and connections with the soapy water solution.
4. If bubbles appear at any connection or seam or a gas odor is detected immediately turn gas control knob to the OFF position.
5. Tighten or reconnect the leaking joint and retest for any gas leaks.

Gas Pressure

Correct gas pressure is essential for efficient and safe operation of the Allagash gas stove. It is important that the correct pressure is established at the time of the installation. Proper gas pressure provides a consistent flow of gas to the appliance and is instrumental in checking for gas leaks. The gas control valve on the stove is equipped with pressure test points for gauge connections. The gauge connections are located on the front of the valve under the On/Off/Pilot- knob. See Fig. 16. Gauge connections are identified by:

- **E** for **inlet** or supply pressure (the amount of gas coming to the valve.)
- **A** for **manifold** pressure (the amount of gas that is coming out of the valve to the burner.)

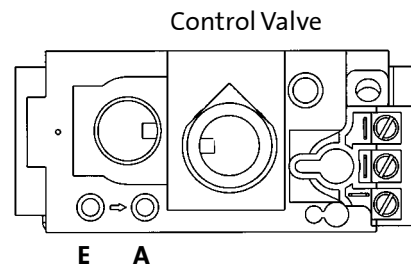


Figure 16. Inlet and Manifold pressure test points.

INLET GAS PRESSURES (inches water column)

	MIN	MAX
NATURAL GAS	5.0 WC	7.0 WC
PROPANE	11.0 WC	13.5 WC

ALWAYS TEST PRESSURES WITH VALVE CONTROL KNOB SET ON HIGH.

The appliance must be isolated from the gas supply line by closing its individual manual gas shutoff valve (gas cock) during any pressure testing of the gas supply piping system that is equal to or exceeds pressures of 1/2 psig. (3.5 kPa).

High Altitude Adjustment

Installation at high altitude locations (above 2500'), makes it necessary to compensate for the thinner air (less volume of air per cubic foot). Higher altitudes affect the atmospheric pressure and heat value of some gaseous fuels. The Allagash DVII requires adjustment for Propane fuel at high altitude, but not for Natural gas.

In the U.S.

THE DERATING KIT MUST BE INSTALLED BY AN AUTHORIZED SERVICE TECHNICIAN IN ACCORDANCE WITH THE MANUFACTURER'S INSTRUCTIONS AND ALL CODES AND REQUIREMENTS OF THE AUTHORITY HAVING JURISDICTION. THE INFORMATION STICKER MUST BE FILLED OUT BY THE INSTALLER AND ADHERED TO THE APPLIANCE AT THE TIME OF THE CONVERSION. THE QUALIFIED SERVICE AGENCY PERFORMING THIS WORK ASSUMES RESPONSIBILITY FOR THIS DERATING.

For installations from 610 - 1370 meters (2000-4500 ft.) the orifice size for natural gas is #38 and for propane gas #54.

SEE THE HIGH ALTITUDE ORIFICE CHART ON THIS PAGE.

See the stove Rating Plate for additional information. For high altitude installations consult the local gas distributor or the authority having jurisdiction for proper rating methods. If the installer must convert the unit to adjust for varying altitudes, the information sticker must be filled out by the installer and applied to the appliance at the time of the conversion.

In Canada:

This unit has been tested for installation at high altitudes in accordance with Canadian test standard CAN/CGA-2.17.

THE DERATING SHALL BE CARRIED OUT IN ACCORDANCE WITH THE REQUIREMENTS OF THE PROVINCIAL AUTHORITIES HAVING JURISDICTION AND IN ACCORDANCE WITH THE REQUIREMENTS OF THE CAN1-B-149.1 AND .2 INSTALLATION CODE.

High Altitude Orifice Chart			
Elevation	Fuel	Orifice Size	Part No.
0 - 2000 ft. (0 - 610 m)	Natural Gas	#38	129130
	Propane	1.5 mm	129146
2001 - 4500 ft. (611 - 1370 m)	Natural Gas	#38	Do Not Derate
	Propane	#54	754517P

Derating Procedure

To derate this unit, install the appropriate orifice per the High Altitude chart.

1. Remove the two 1/4" hex head screw that holds the burner tube/log support to the bottom of the stove.
2. Remove the burner tube/log support to expose the main burner orifice.
3. Remove the orifice and replace with the appropriate one from the high altitude kit.
4. Be sure to attach the high altitude conversion sticker provided with the kit to the rating plate on the appliance.

THIS STOVE HAS BEEN CONVERTED FOR USE AT AN ALTITUDE OF: _____
Orifice Size: _____ Manifold Press. _____
Input Btu/Hr. _____ Fuel Type _____
Date of Conversion _____

Figure 17. High Altitude Conversion Label. This sticker is included in all high altitude kits and must be applied to the stove when converted for high altitude.

Air Shutter & Flame Picture Adjustment

The GF3 DVII Allagash is shipped from the factory equipped to use NATURAL GAS. If the stove is converted to use Propane, it will be necessary to adjust the air shutter on the burner tube to achieve the proper gas to air mix. THE AIR SHUTTER SHOULD BE SET FULL OPEN FOR PROPANE USE AND THREE QUARTERS OPEN FOR NATURAL GAS USE.

The air shutter can also help achieve the desired flame appearance. Generally, flame appearance is a matter of preference, however most people enjoy a warm, yellowish flame.

Too large a setting: The appliance will generate a flame that is blue and transparent, or an “anemic” flame.

Too small a setting: The appliance will generate very long yellow flames resulting in soot. Sooting produces black deposits on the logs, on the inside walls of the appliance, and potentially on the exterior termination cap. See Fig. 12 for reference.

Sooting is caused by incomplete combustion in the flames and lack of combustion air entering the air shutter opening.

To adjust the air shutter: remove the burner tube and using a phillips head screwdriver loosen the screw at the air shutter and adjust accordingly. Be sure to retighten the screw that holds the air shutter setting. Reassemble the stove and close the door, allow stove to burn 30 minutes on the HIGH setting, observing the flame continuously. If the flame appears weak, slow, or sooty, repeat the process described above until the flame is as desired.

WARNING:

AIR SHUTTER ADJUSTMENTS SHOULD ONLY BE PERFORMED BY A QUALIFIED PROFESSIONAL SERVICE TECHNICIAN.

Log Set Installation

The Allagash is equipped a one piece log set and is packaged in bubble wrap inside the firebox. The log set must be removed from the packaging and arranged in the unit prior to start up of the gas stove. Do not handle the log set with your bare hands. Always wear gloves to prevent skin irritation from the ceramic fibers.

To install the log set, remove the packaging and place the log set inside the firebox, centered from left to right and completely against the rear wall of the stove. See Fig. 18.

Also, the stove is shipped with a package of Glowing Embers. These are to be individually sprinkled across the screen above the burner tube. It is best to equally space these embers for optimum flame appearance. Note: All of the embers do not need to be used.

CONTACT WITH THE CERAMIC FIBER LOGS AND GLOWING EMBERS MAY CAUSE SKIN IRRITATION. SHOULD THAT OCCUR, GENTLY WASH HANDS WITH WARM SOAPY WATER.

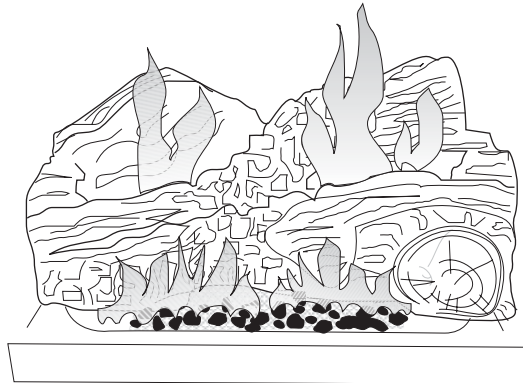


Figure 18. Proper flame picture.

Optional Blower Installation

IMPORTANT: IF THE OPTIONAL FORCED BLOWER KIT (PART # 129161) IS TO BE INSTALLED ON THE STOVE AT THE TIME OF THE INSTALLATION OR IN THE FUTURE, THE GAS SUPPLY LINE SHOULD BE INSTALLED AS CLOSE TO THE FLOOR AS POSSIBLE. USE OF A 90° DIRECTLY OFF THE VALVE WILL ALLOW FOR PROPER CLEARANCE FOR THE BLOWER. SEE FIG. 18.

Blower Kit Contents:

- Blower with mounting bracket
- Snapstat and Wiring Harness
- Hi/Low/Off Switch
- two 6mm bolts

Attach the Blower

1. Locate the two raised bosses on the bottom back of the stove. See Figure 19. The blower is mounted to the stove using these two threaded holes.
2. With the blower bracket and snapstat facing upward, align the two middle mounting holes on the bracket with the two threaded holes on the bottom back of the stove.
3. Use the two 6mm bolts to attach the blower to the stove. Be sure to tighten the bolts so that the blower is drawn upward and tight against the stove bottom.
4. The snapstat (thermodisc), attached to the blower bracket, should be inserted under the stove bottom to make contact with the firebox!

Connect the Blower Wiring Harness

1. Lift off the stove top plate.
2. Loosen (BUT DO NOT REMOVE) the 10 mm bolt holding the switch box to the side of the stove (left rear corner of the stove), and lift out the switch box.
3. Remove the “blank” switch from the box. (Hint: break the retaining tabs holding the switch in the box.)
4. Insert the new HI/OFF/LO switch into the box.
5. Connect the insulated wires from the blower to three leads on the HI/OFF/LO switch. **BLACK** wire to the HI position, **WHITE** wire to the OFF position, and the **RED** wire to the LO position. See Fig. 22.
6. Reattach the switch box to the side of the stove. Be sure all wires are unobstructed.
7. Replace top plate.

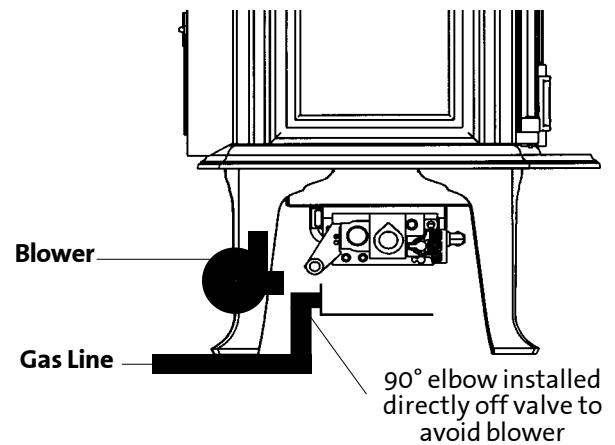


Figure 19. Blower and gas line installation.

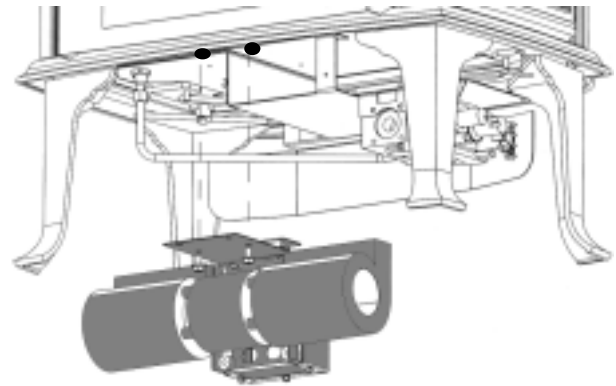


Figure 20. Blower attachment points.

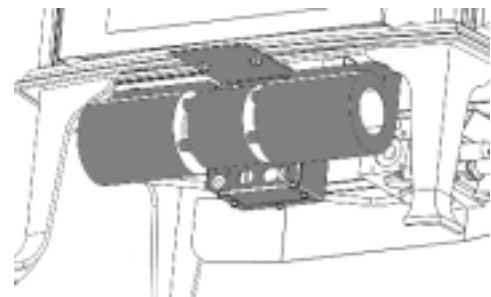


Figure 21. Blower position installed.

The blower will **ONLY** come on when the switch is in the **Hi or Low position and ONLY when the snapstat (thermodisc) is heated by the operation of the stove.** (Approximately 10- 20 minutes after the stove has been running).

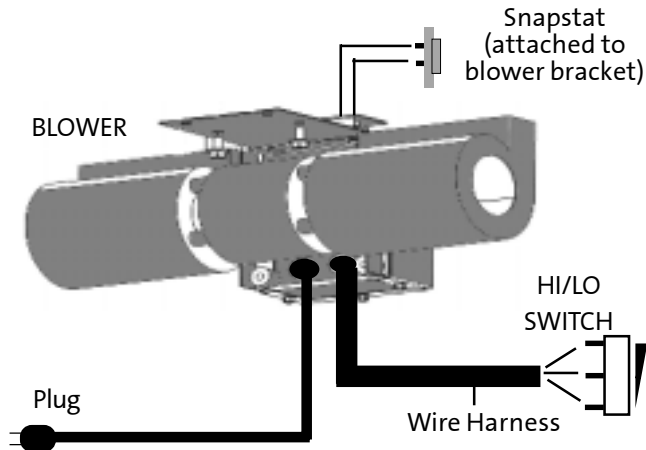


Figure 22. Attaching the blower wire harness.

CAUTION:
LABEL ALL WIRES PRIOR TO DISCONNECTION WHEN SERVICING THE CONTROLS. WIRING ERRORS CAN CAUSE IMPROPER AND DANGEROUS OPERATION. ALWAYS VERIFY PROPER OPERATION AFTER SERVICING THE APPLIANCE.

Optional Wall Thermostat or Remote Control

When installing a wall mounted thermostat to the Allagash it must be 750 millivolt DC two-wire circuit thermostat. The thermostat should be placed in the same room as the heater, typically 5' off the floor. Avoid drafty areas or any area that may effect the accuracy of the thermostat.

The thermostat should be connected to the Allagash using a minimum of 16 gauge wire with a maximum length of 35 feet of wire.

Connect the two thermostat wire leads to the two lower terminals on the terminal block located directly above the ignitor button. Do not overtighten the connections. IT IS NOT NECESSARY TO DISCONNECT ANY OTHER WIRES. See Figure 23.

For the thermostat to work the On/Off/T-Stat switch on the back of the stove must be in the T-stat position, and the pilot light must be running, for it is the power source for the thermostat.

At the thermostat the two wires should be connected to the two connections screws on the thermostat base plate per the manufacturer's instructions.

Remote Control

The remote receiver should be wired to the terminal block the same as the thermostat. See the instructions above.

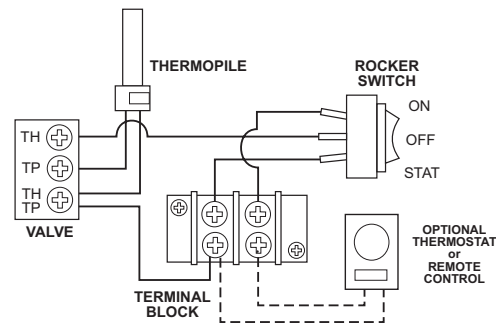


Figure 23. Wiring Diagram / Remote or Thermostat

System Check

1. PURGE THE GAS LINE: When lighting the appliance for the first time it will take a few moments to clear the gas line of air. Once this purge is complete, the appliance will operate as described in the lighting instructions located on the stove's rating plate. All subsequent lightings of the stove will not require such purging of the gas line.

2. PILOT FLAME: The pilot flame should be steady, not lifting or floating. The flame should be blue in color around the pilot hood, with traces of yellow toward the outer edges.

The pilot flame should engulf the top $\frac{3}{8}$ " of the thermopile (for millivolt generation) and the top $\frac{1}{8}$ " of the thermocouple. The pilot flame should project out of the pilot hood 1 " at all three port. See Figure 24.

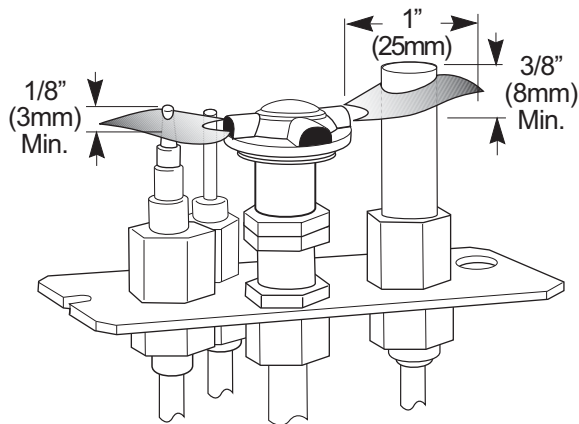


Figure 24. Correct Pilot Flame

3. BURNER ADJUSTMENT: The GF3 DVII Allagash gas stove is equipped with a variable gas control valve. This valve provides easy adjustment of the flame height appearance and heat output. To adjust the flame between the HI and LOW setting, rotate the HI/LOW knob, located in the center of the valve face. Flame height will adjust approximately 1.0 " to 1.5 " between the HI and LOW settings. See Figure 25.

NO SMOKE OR SOOT SHOULD BE PRESENT. CHECK LOG PLACEMENT IF ANY SOOT OR SMOKE IS DETECTED. IF SOOT OR SMOKE PERSIST, THE AIR SHUTTER MAY NEED TO BE ADJUSTED. See Air Shutter/Flame Appearance section of this manual for proper air shutter settings and adjustments. Note: The more offsets there are in the vent system, the greater the need for an air shutter adjustment.

CAUTION: DO NOT ATTEMPT TO ALTER THE FLAME APPEARANCE BY POSITIONING THE GAS VALVE IN ANY OTHER POSITION OTHER THAN THE FULL "ON" POSITION.

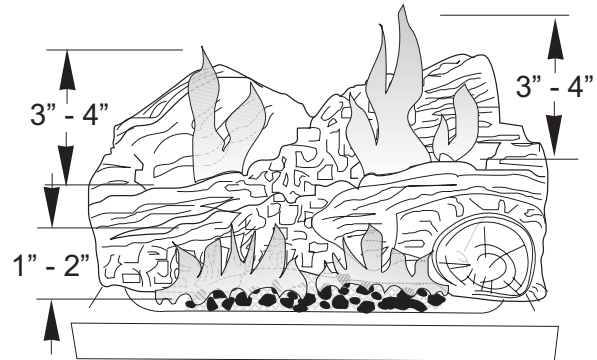


Figure 25. Correct flame appearance on High setting after approximately 15 to 20 minutes operation.

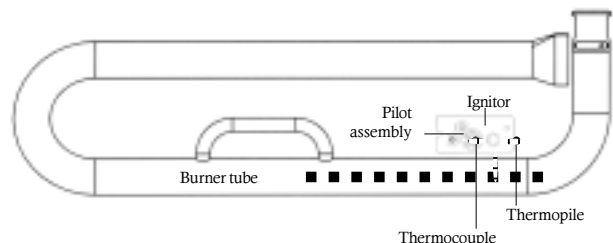


Figure 26. Pilot Assembly location.

WARNING: AIR SHUTTER ADJUSTMENTS SHOULD ONLY BE PERFORMED BY A QUALIFIED PROFESSIONAL SERVICE TECHNICIAN.

Operation

1. The Allagash is equipped with an On/Off/T-stat rocker switch or can be controlled using an optional wall mounted thermostat. A separate switch is provided for the optional forced air blower kit.
2. When lit for the first time, the stove will emit an odor for several hours. This odor results from paint curing and the burn-off of manufacturing residues. This condition can be alleviated by opening a window to allow fresh air circulation during this break-in period.
3. Condensation may occur on the glass each time the burner is turned on. This fog will disappear as the appliance becomes hot.
4. Keep the controls and the area under the appliance free of debris, vacuum this area frequently. Always keep the appliance area clear and free from combustible materials, gasoline and other flammable liquids.

If and when a vacuum is used on any service for the stove, ALWAYS be sure the stove is OFF.

5. Remember, this appliance has a continuously burning pilot flame. Exercise caution when using products with combustible vapors.
6. **CAUTION: DO NOT OPERATE THIS APPLIANCE WITH THE GLASS REMOVED CRACKED OR BROKEN. REPLACEMENT OF THE GLASS SHOULD BE DONE BY A LICENSED OR QUALIFIED SERVICE PERSON. USE ONLY REPLACEMENT GLASS PROVIDED BY YOUR AUTHORIZED JØTUL DEALER. NEVER USE ANY SUBSTITUTE MATERIALS.**

NOTE: Anyone using this appliance should follow the Lighting Instructions located on the inside back cover of this manual.

The Lighting Instructions are also located on the back of the stove Rating Plate attached to the bottom of the stove.

Maintenance

The Allagash Direct Vent gas stove and its venting system should be inspected before use and at least annually by a qualified service technician.

IMPORTANT:

BEFORE ANY SERVICE WORK IS PERFORMED ON THE STOVE, ALWAYS TURN OFF THE GAS SUPPLY TO THE STOVE AND UNPLUG THE BLOWER IF INSTALLED.

General Cleaning:

The firebox should be vacuumed annually to remove any surface build up. Be sure to vacuum or wipe off the pilot assembly and burner orifice and burner tube. Also, when vacuuming the log set, be sure to handle it carefully as it is very fragile.

Gasket Inspection:

It is important that the glass gasket be inspected at least annually. Examine the rope gasket for signs of deterioration and make sure the gasket has a positive seal. This is important to prevent combustion gases from escaping into the room. Replace the gasket if necessary, refer to the replacement parts list on page 23.

Always replace any damaged or broken parts on the Allagash with JØTUL AUTHORIZED PARTS ONLY. These are available through your Jøtul dealer. Never use any substitute parts on your Allagash Direct Vent stove.

Glass Care:

Clean the glass only when necessary. Wipe surface with a clean, dampened, soft cloth. Follow with a dry, soft towel as desired. Take care not to scratch the glass surface.

WARNING: DO NOT USE ABRASIVE CLEANERS ON THE GLASS. NEVER CLEAN THE GLASS WHEN IT IS HOT.

OBSERVE CAUTION NEAR THE DOOR. THE GLASS PANEL MAY SHATTER UNEXPECTEDLY IF STRUCK WITH AN OBJECT. ALWAYS HANDLE THE GLASS PANEL WITH CARE. WHEN SERVICING THE STOVE ALWAYS PULL THE GLASS ASSEMBLY STRAIGHT UP FOR REMOVAL.

With proper care and maintenance, your appliance will provide you with years of enjoyment. If you experience any problem or inconsistency with your Jøtul Allagash gas stove, contact your authorized Jøtul dealer for assistance.

To expedite the proper service for your appliance the following information will help your dealer determine what you will need for parts and service.

RETAIN THIS MANUAL FOR REFERENCE AND MAKE IT AVAILABLE TO ANYONE USING OR SERVICING THE STOVE.

MODEL NAME: Jøtul GF3 DVII Allagash Direct Vent

SERIAL NUMBER: _____

DATE OF PURCHASE: _____

NAME OF INSTALLER: _____

TYPE OF FUEL: _____

WAS STOVE CONVERTED? _____

NOTES:

SERVICE LOG:
Second Year

Service Technician _____

Company Name _____

Date of service _____

Work Performed _____

SERVICE LOG:
Third Year

Service Technician _____

Company Name _____

Date of service _____

Work Performed _____

SERVICE LOG:
First Year

Service Technician _____

Company Name _____

Date of service _____

Work Performed _____

SERVICE LOG:
Fourth Year

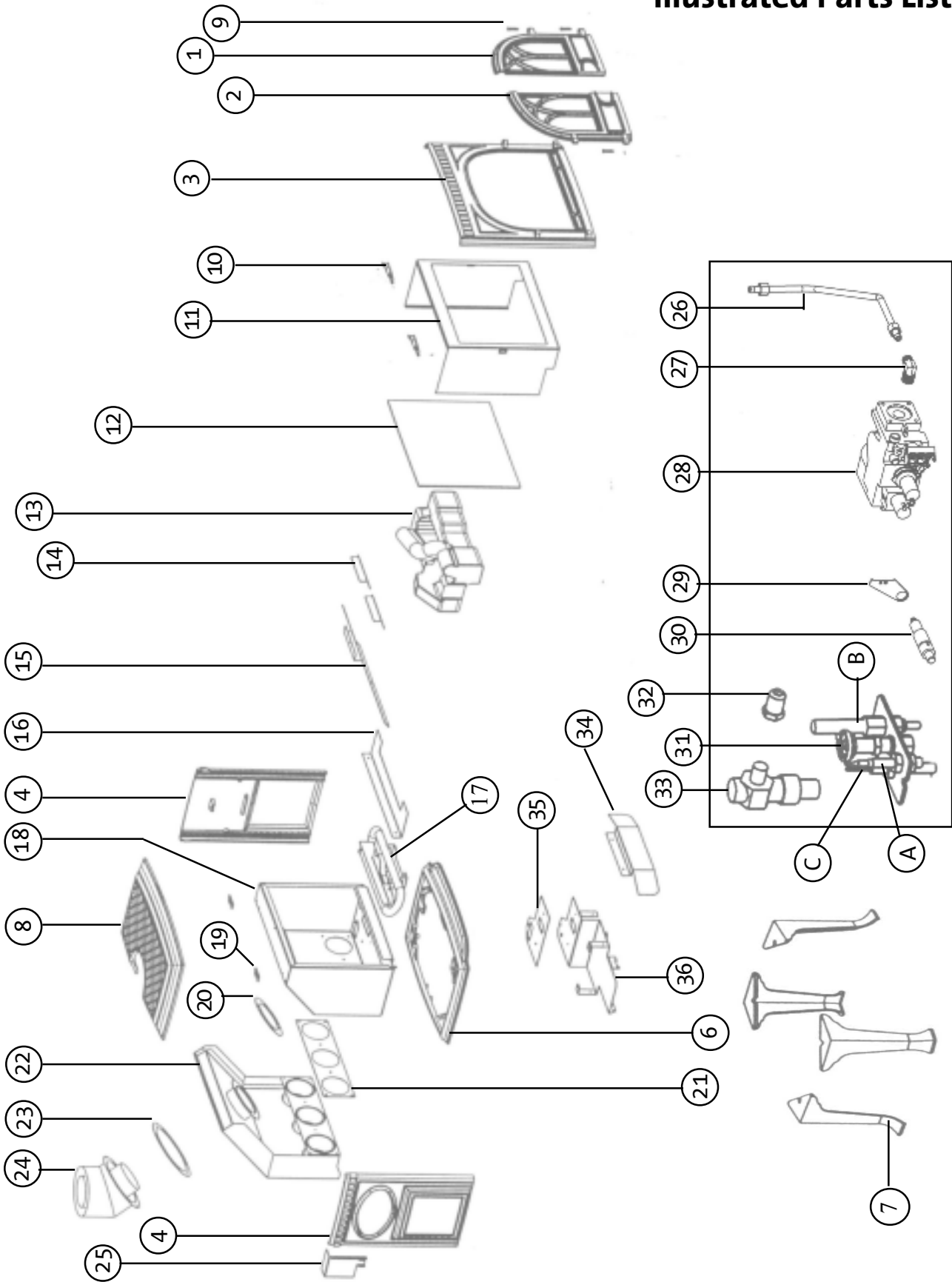
Service Technician _____

Company Name _____

Date of service _____

Work Performed _____

Illustrated Parts List



Jøtul GF3 DVII Allagash Parts

9	Door Pins	125960	35	Gasket pilot assembly	129116
10	Glass Latch	129135	36	Valve Bracket	129105
11	Glass Frame	12911292	*	Gasket Ignition Door	129117
12	Glass Panel	1291113	*	Wiring Harness complete	154319
*	Glass Gasket (7/16 tadpole)	129124	*	Door Clip	122009
	Glass Panel w/ gasket	154984	*	Blank switch plug	129166
13	Log Set	129122	*	Log Support	129132
*	Embers	129123	*	Air Shutter	129659
14	Restrictor Sliders	12914792	*	Burner Support Bracket	129108
15	Exhaust Baffle	129110			
16	Air Deflector	129109			
17	Burner Tube	154990			
18	Firebox	129107			
19	Latch Keeper	129149			
20	Exhaust Gasket	129120			
21	Air Intake Gasket	129119			
22	Air Intake Manifold	129111			
23	Starter Gasket	129118			
24	Starter Elbow	129126			
25	On/Off/T-stat Switch Box	12914892			
*	ON/OFF Switch	129153			
26	Main Gas Line (Complete Kit)	154372			
	Gas Line only	129462			
	Compression Sleeve (2) (Ferrel)	129463			
	Compression Nuts (2)	129464			
27	Brass Gas Elbow	129129			
28	Valve, natural gas	3902159			
*	Valve, propane gas	3902160			
29	Ignitor Bracket	3902576			
30	Ignitor Button	3902573			
*	Ignitor Wire incl. with electrode				
31	Pilot Assembly NG	129471			
*	Gasket Pilot assembly	129116			
*	Pilot Orifice NG #51	129472			
*	Pilot Orifice LP #30	129473			
*	Pilot Gas Line w/ Fitting	129446			
A	Thermocouple	129766			
B	Thermopile	3094527			
C	Electrode w/ wire	129765			
32	Burner Orifice- NG #38	129130			
*	Burner Orifice- LP 1.5 mm	129146			
33	Orifice Holder	129128			
*	Jam Nut for holder	129152			
34	Valance	12910692			

HARDWARE LIST

Leg bolts (M6 X 25)	9961
Washer for leg bolts	120004
Sides to front bolts (M6 X 25)	9961
Front to base (M6 X 25)	9961
Washer side to Front	120004
Washer Firebox to Base	120004
Nut - Firebox to base	117910
Side Clip bolts (M6 X 12)	117130
Door Clip bolt (M6 X 12)	117130
Switch Box to Side (M6 X 12)	117130
Starter elbow to Firebox (#8X1/2)	117917
Valance screws (#8 X 1/2)	117917
Ignitor Bracket (M4 X 8 phillips)	117920
Door Washer	117588
Snapstat Switch (Blower)	129176
Blower Mounting Kit (bolts, hi-lo switch)	154370
#8x 1/4" Sltd Hex Screw - Air Shutter	117979

ACCESSORIES

Wall Thermostat	750003
Blower Kit	129161
Remote Control	750002
Remote Control w/ Thermostat	129706
Screen	129174
Floor Bracket Kit	750304
Conversion Kit to NATURAL	154959
Conversion Kit to PROPANE	154958
High Altitude Conversion Kit/LP	754517P
Torx T20 screwdriver	110002

ONLY USE REPLACEMENTS PARTS PROVIDED BY AN AUTHORIZED JØTUL DEALER.

	Cast Iron Parts	Matte Black	Blue Black	Ivory	Green	Indigo	Jøtul Iron
1	Right Door	10390492	10390427	10390429	10390432	10390436	10390485
2	Left Door	10390392	10390327	10390329	10390332	10390336	10390385
3	Front Panel	10390192	10390127	10390129	10390132	10390136	10390185
4	Side Panel	10203292	102033	102246	10203232	103128	10203285
6	Bottom Plate	10390092	10390027	10390029	10390032	10390036	10390085
7	Legs Single	10192592	101966	102251	10192532	103123	10192585
8	Top	10390292	10390227	10390229	10390232	10390236	10390285
	Short Legs Set	350074	350075	350117	35007432	35007465	350562

LIGHTING INSTRUCTIONS

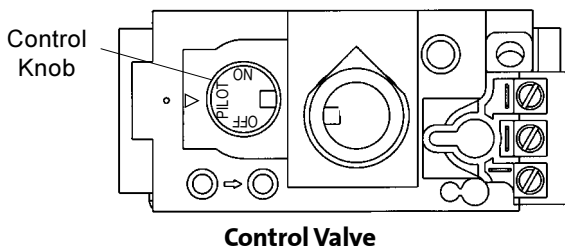
FOR YOUR SAFETY, READ BEFORE LIGHTING.

WARNING:
IF YOU DO NOT FOLLOW THESE INSTRUCTIONS EXACTLY, A FIRE OR EXPLOSION MAY RESULT CAUSING PROPERTY DAMAGE, PERSONAL INJURY, OR LOSS OF LIFE.

- A.** This appliance has a pilot which must be lit by hand. When lighting the pilot, follow these instructions exactly.
- B. BEFORE LIGHTING,** smell all around the appliance area for gas. Be sure to smell next to the floor because some gas is heavier than air and will settle to the floor.
- WHAT TO DO IF YOU SMELL GAS:**
- Extinguish any open flame.
 - Open windows.
 - Do not light any appliance.
 - Do not touch any electrical switches.
 - Do not use any phone in your building.
 - Immediately call your gas supplier from a neighbor's phone.
- If your gas supplier cannot be reached, call the fire department.
- C.** Use only your hand to push in or turn the gas control knob. Never use tools. If the knob will not push in or turn by hand, do not try to repair it. Call a qualified technician. Force or attempted repair may result in a fire or explosion.
- D.** Do not use this appliance if any part has been under water. Immediately call a qualified service technician to inspect the appliance and to replace any part of the control system and any gas control which has been under water.

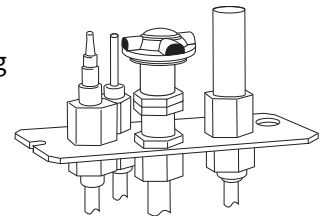
LIGHTING INSTRUCTIONS

1. STOP! Read the safety information above.
2. Access the lower controls.
3. Turn the stove ON/OFF switch to "OFF", or set the thermostat to lowest setting (if used).
4. Confirm that the gas supply line shut-off valve is open.



5. Push in gas control knob slightly and turn clockwise ➡ to "OFF".
NOTE: Knob cannot be turned from "PILOT" to "OFF" unless the knob is pushed in slightly. Do not force.
6. Wait five (5) minutes to clear out any gas. If you then smell gas, STOP! Follow "B" in the safety information above on this page. If you do not smell gas, go to the next step.

7. Push in gas control knob slightly and turn counterclockwise ⤴ to "PILOT".
8. Push in control knob all the way and hold in. Immediately light the pilot by triggering the spark ignitor (push the red button repeatedly) until pilot lights. Continue to hold the control knob in for about one minute after the pilot lights. Release knob and it should spring back. The pilot should remain lit. If it goes out, repeat Steps 5 through 8.



Pilot Assembly

- If knob does not return when released, stop and immediately call your service technician or gas supplier.
 - If pilot will not stay lit after several tries, turn the control knob to OFF and call your service technician or gas supplier.
9. Turn gas control knob counterclockwise ⤴ to "ON".
 10. Turn the stove ON/OFF switch to "ON", or set thermostat (if used) to desired temperature.

TO TURN OFF GAS TO THE APPLIANCE:

1. Turn ON/OFF switch to "OFF". The pilot will remain lit for normal service.
2. For complete shutdown, turn ON/OFF switch to "OFF".
3. Access the lower controls.
4. Depress gas control knob slightly and turn clockwise ➡ to "OFF". Do not force.



This appliance must be installed in conformance with local and national building regulations. Before beginning the installation, it is important that these instructions be carefully read and understood. Jøtul pursues a policy of continual product development. Consequently, products may differ in specification, color or type of accessories from those illustrated or described in various publications.

Jøtul vise sans cesse a améliorer ses produits. C'est pourquoi, il se reserve le droit de modifier les specifications, couleurs et équipement sans avis préalable.

Jøtul ASA

P.O. Box 1411
N-1602 Fredrikstad, Norway

Jøtul North America

400 Riverside Street
Portland, ME 04104